

| | | |
|----|---------------------------------------|---|
| 1 | TF-D7 Rubber washer | 7 |
| 2 | M6x10 Hexagonsocket cup head screws | 8 |
| 3 | Frame-L | 1 |
| 4 | Center rail | 2 |
| 5 | Frame-R | 1 |
| 6 | Side bracket | 2 |
| 7 | M6x14 Machine screw | 4 |
| 8 | M6x1x8 Screw Blue white Zinc | 8 |
| 9 | ST4. 8x1. 6x20 Pozidriv tapping screw | 7 |
| 10 | Column | 2 |
| 11 | Mx8 Hexagon socket cup head screws | 4 |
| 12 | Foot | 2 |
| 13 | Castor | 4 |

SCAN SØRLIE

SCAN SØRLIE

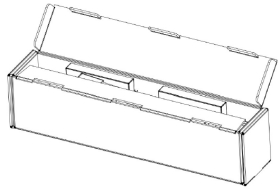


Easy to Go
UPEY2372

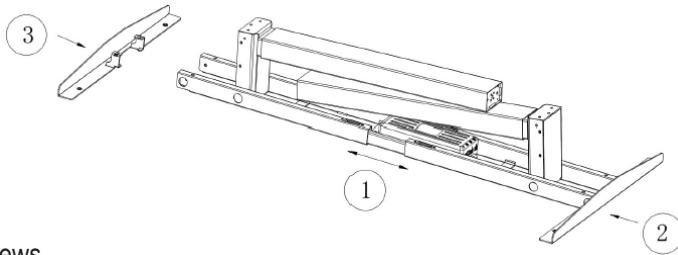


NEW NORDIC DESIGN

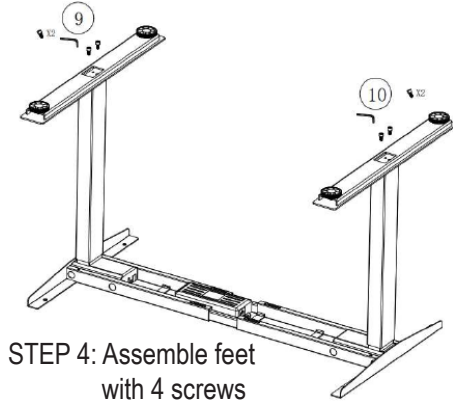
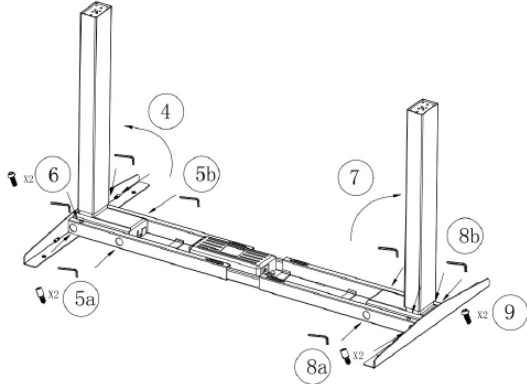
STEP 1: Easy-to-open box



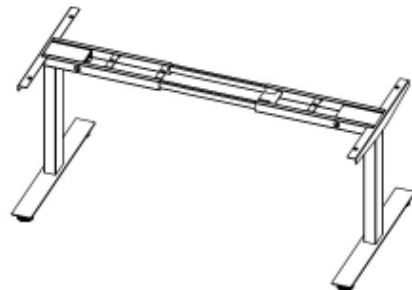
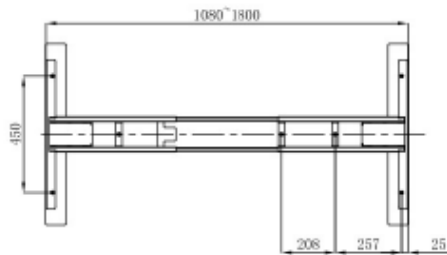
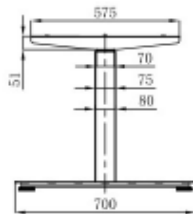
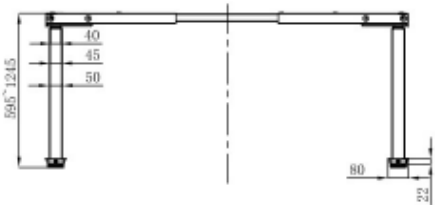
STEP 2: Rise into position



STEP 3: Fasten with 8 screws



STEP 4: Assemble feet with 4 screws



bletop,
double insulated,

SCAN SØRLIE

Key Features:

- "Easy-fix" package / Weight: Approx. 30 kg / Small package: 793x228x135 /
- S13S column (Tube 80x50; 75,45,70x40)
- Low noise: under 45 dB / Adjustable frame design (1080 – 1800 mm.)
- Build-in cable clips for cable Management Easy to assemble (Approx. 3-4 min. pr. Desk) Price level: Medium-High range level product



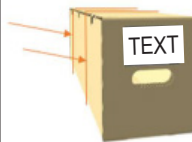
Control box & Control:
Standard Control BOX



Standard Control for package
With LED function

Packaging:

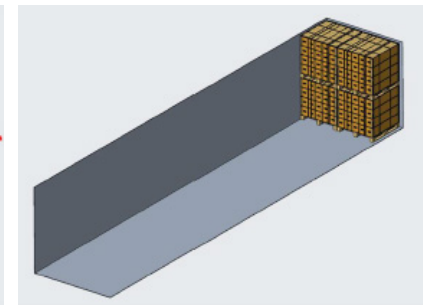
Single packed - size 1085x200x250



Single packed and strapped



Pallets: 2 x 20 pcs



Load in container 40" = 800 pcs

SCAN SØRLIE