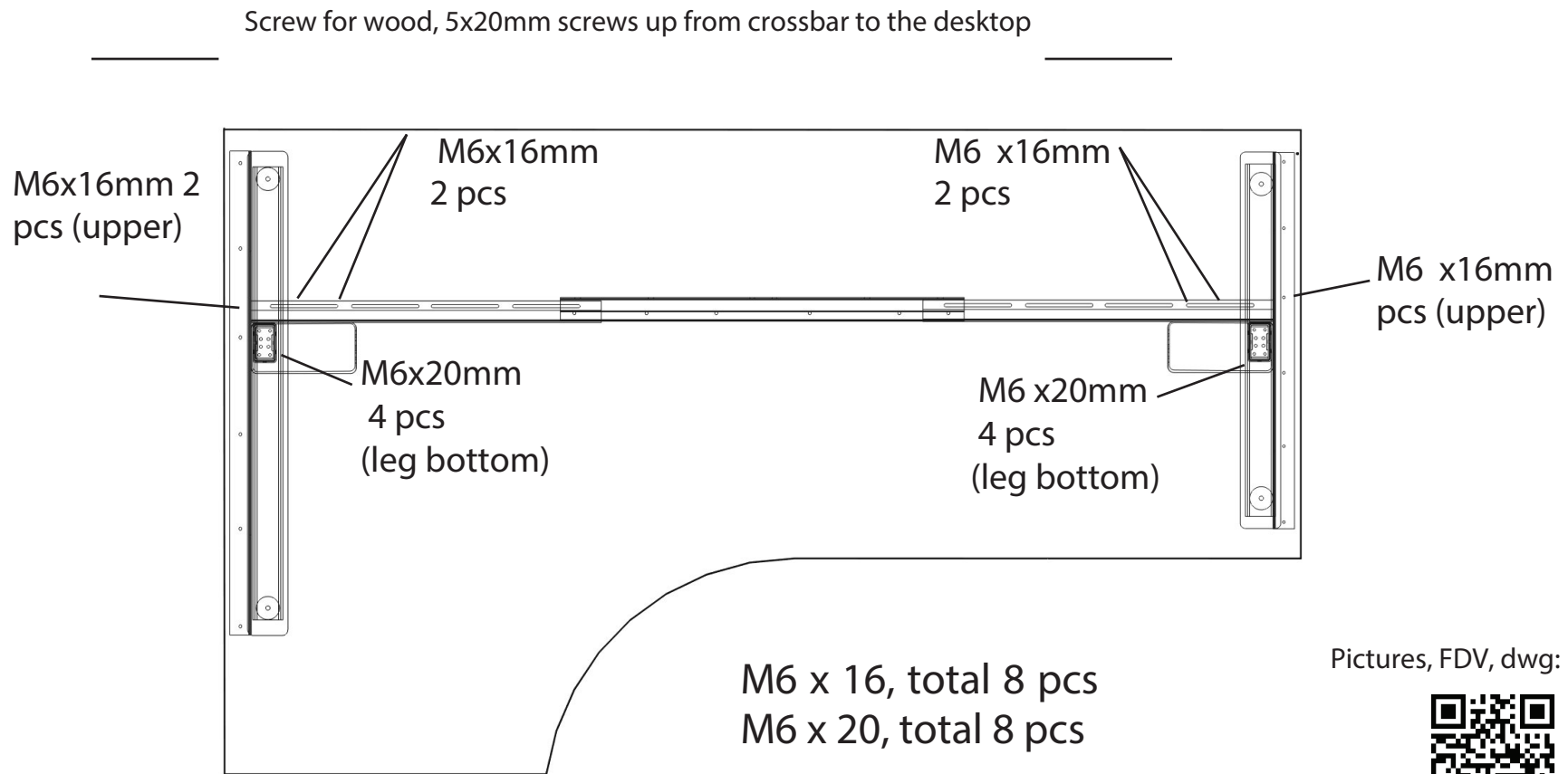


# E-Motion 2-leg electric adjusting



- Crossbar containing 3 deler
- 1 pcs. 2-meter cabel
- 1 pcs. adjusting panel (2 pcs 3,5x20 screws)
- 1 pcs adapter w/180 cm cable for 220 V 3 pcs cabel clips

Pictures, FDV, dwg:



eller:

<https://scansorlie.no/produkt/e-motion/>

**SCAN SØRLIE**