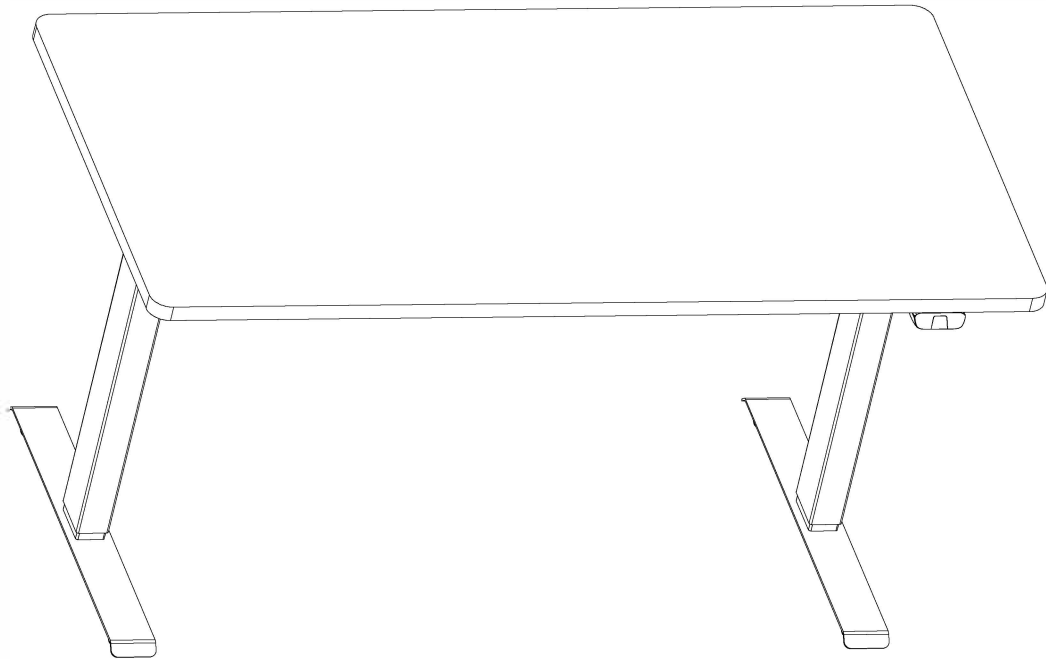
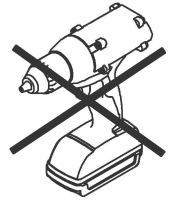
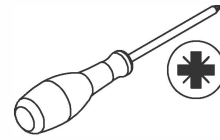




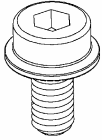
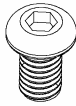
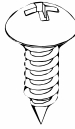






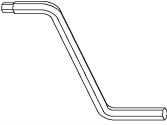
ELECTRIC HEIGHT ADJUSTABLE BASE
Installation Instructions

UP2272 Lite2.0



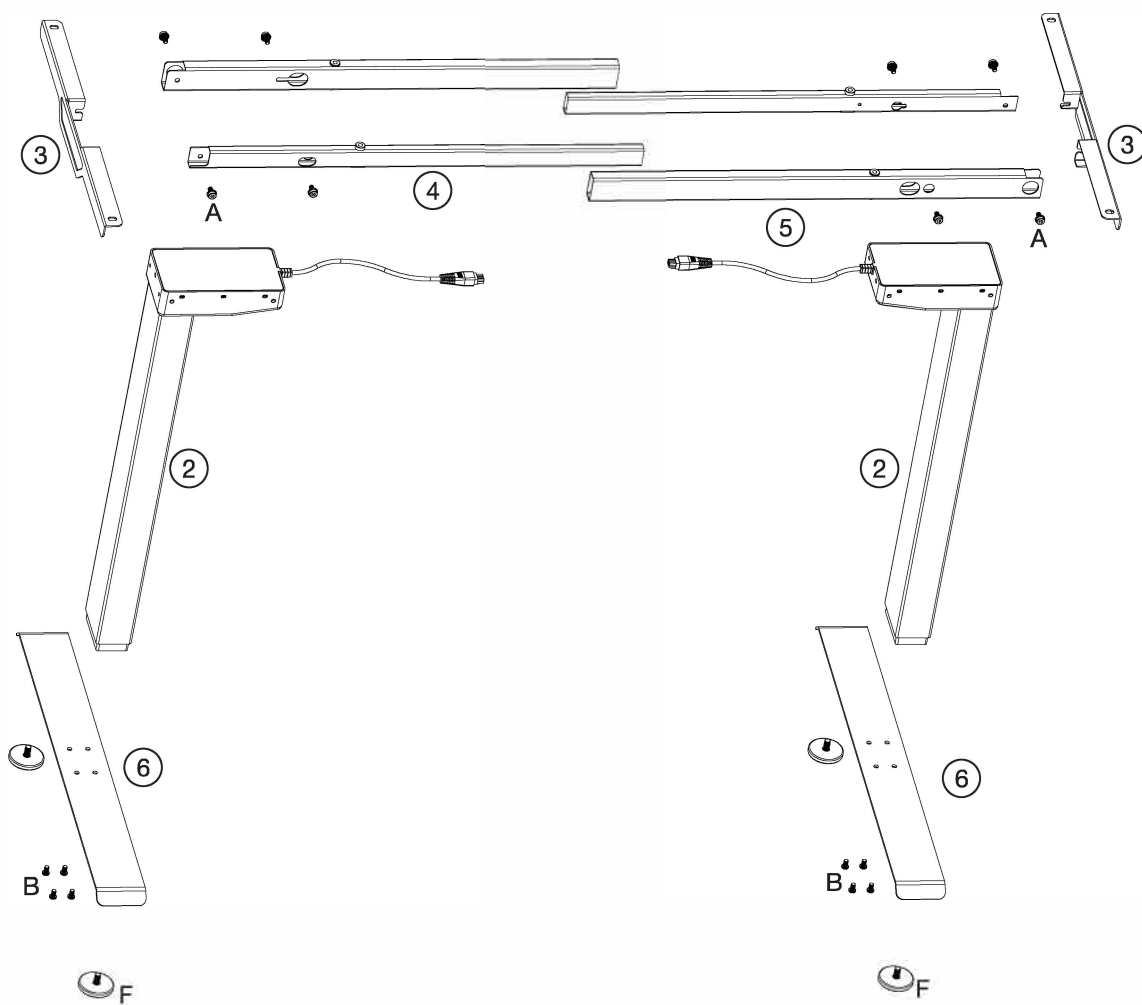


UP

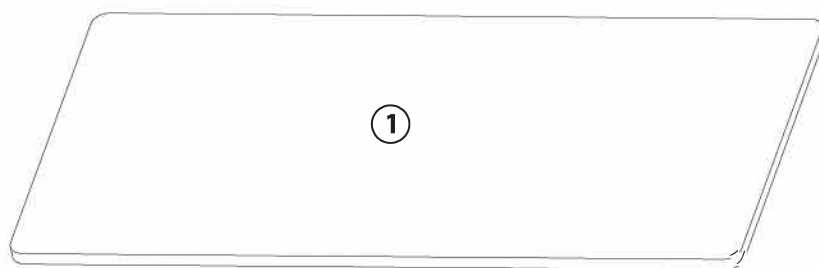
<p>A x8</p>  <p>M6x12</p>	<p>B x8</p>  <p>M6x10</p>	<p>C x10</p>  <p>ST5x16</p>	<p>D x2</p> 
<p>E x2</p> 	<p>F x4</p> 	<p>G x2</p> 	<p>H x2</p> 
<p>I x1</p> 	<p>J x1</p>  <p>4mm</p>		



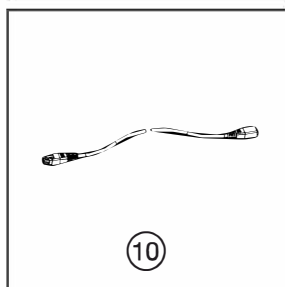
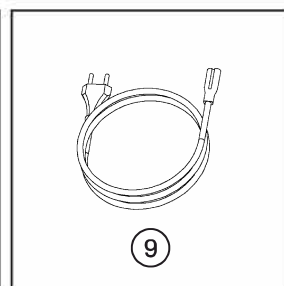
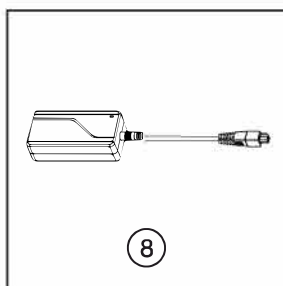
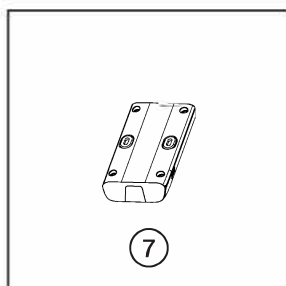
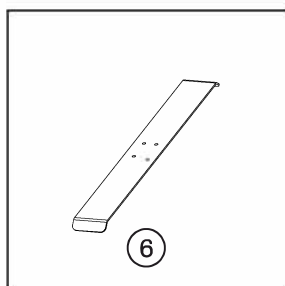
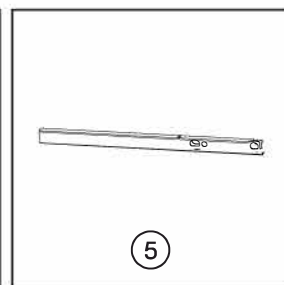
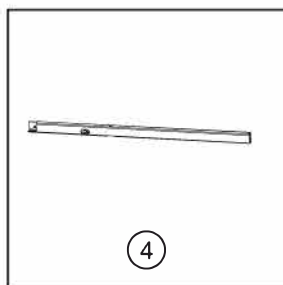
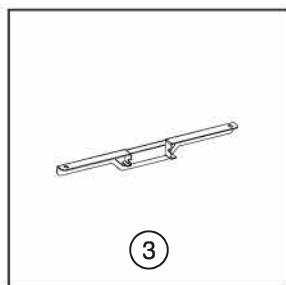
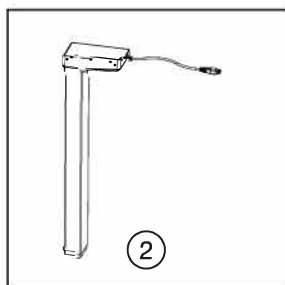
UP



Box 1 / 2

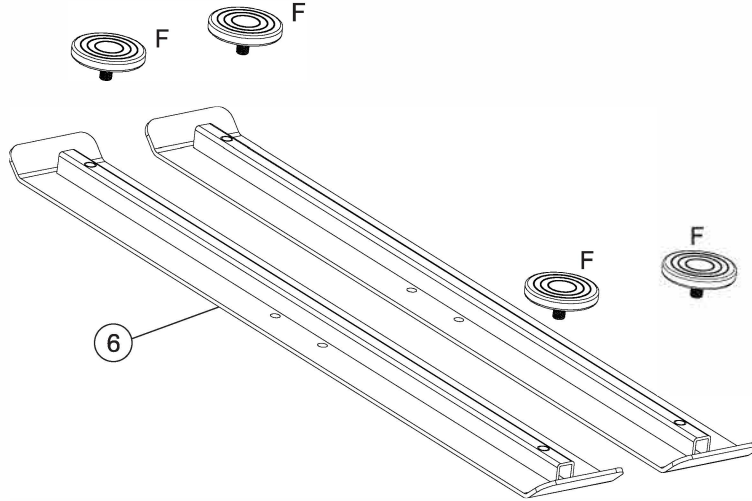
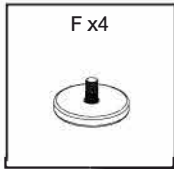


Box 2 / 2

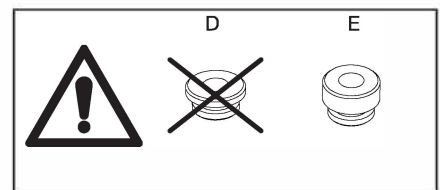
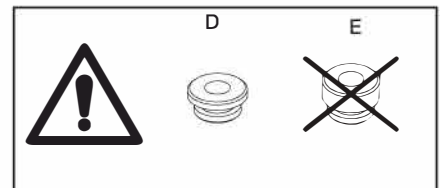
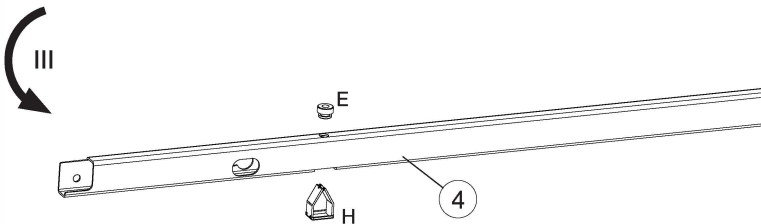
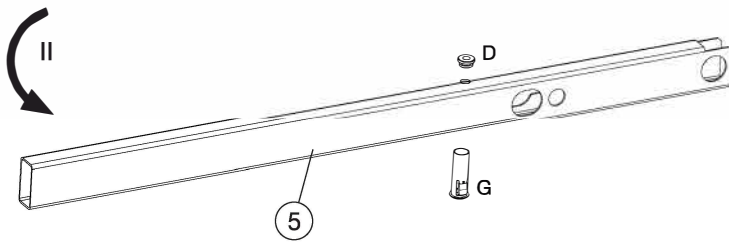
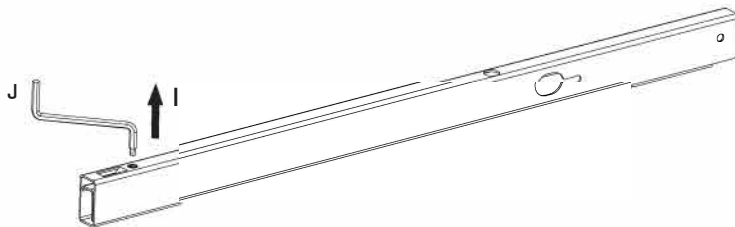
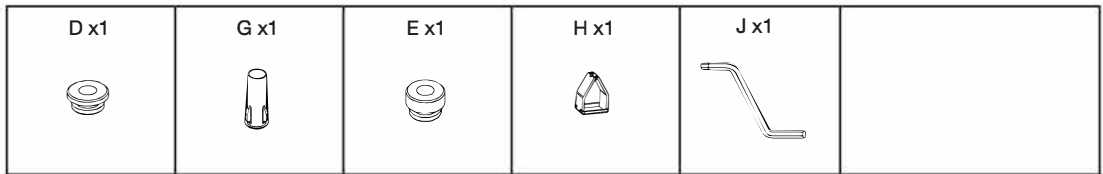


UP

1

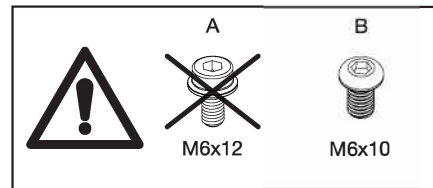
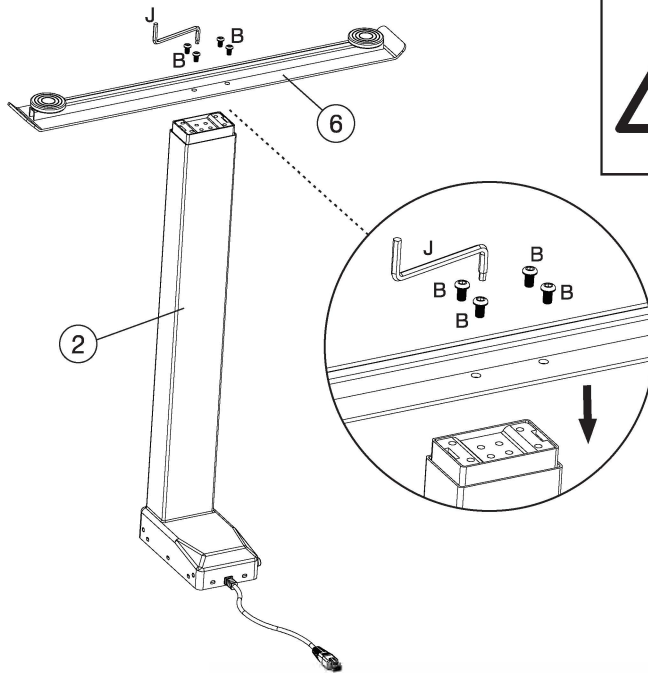


2




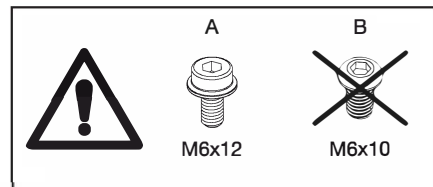
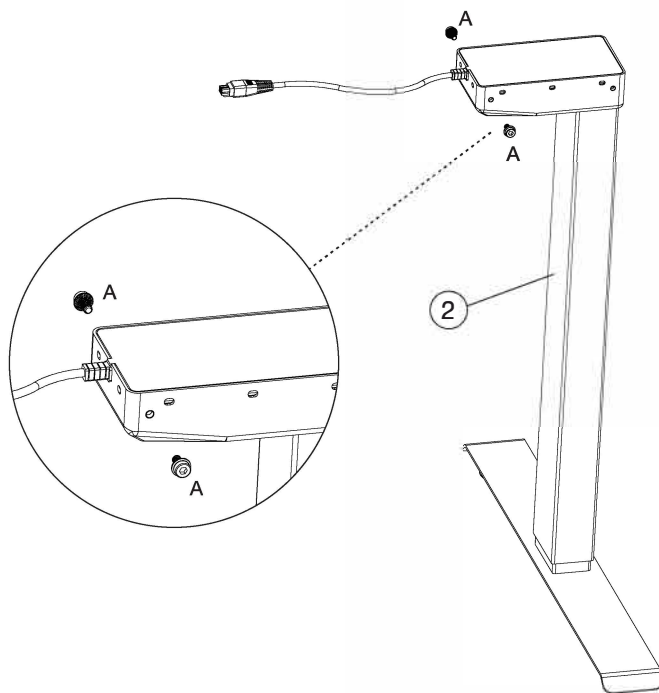
3

<p>B x4 M6x10</p> 	<p>J x1</p> 	
---	---	--






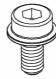

4

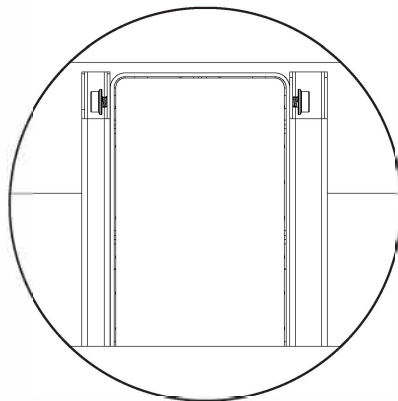
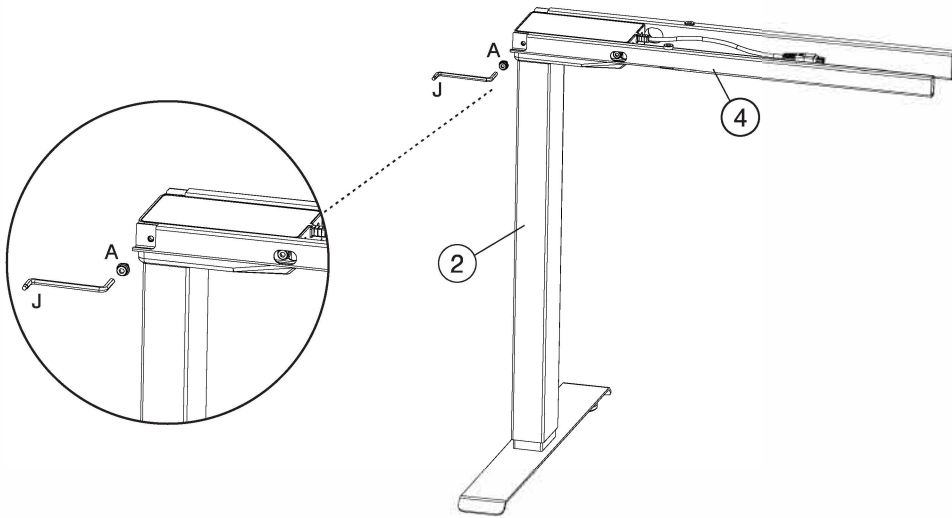
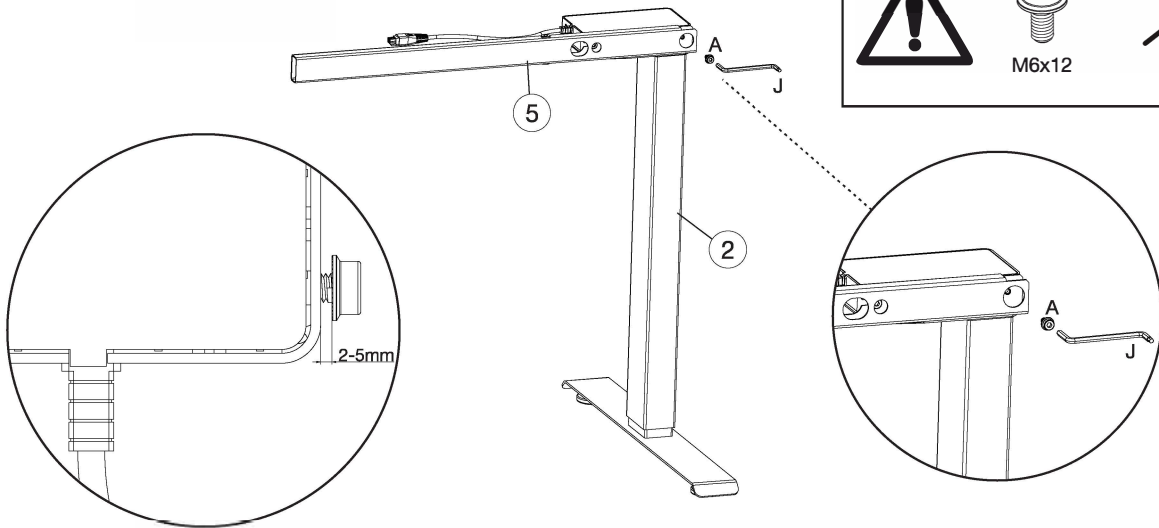
<p>A x2 M6x12</p> 	
---	--



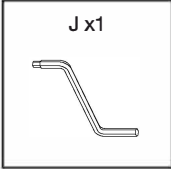
5

A x2  M6x12	J x1 	
--	---	--

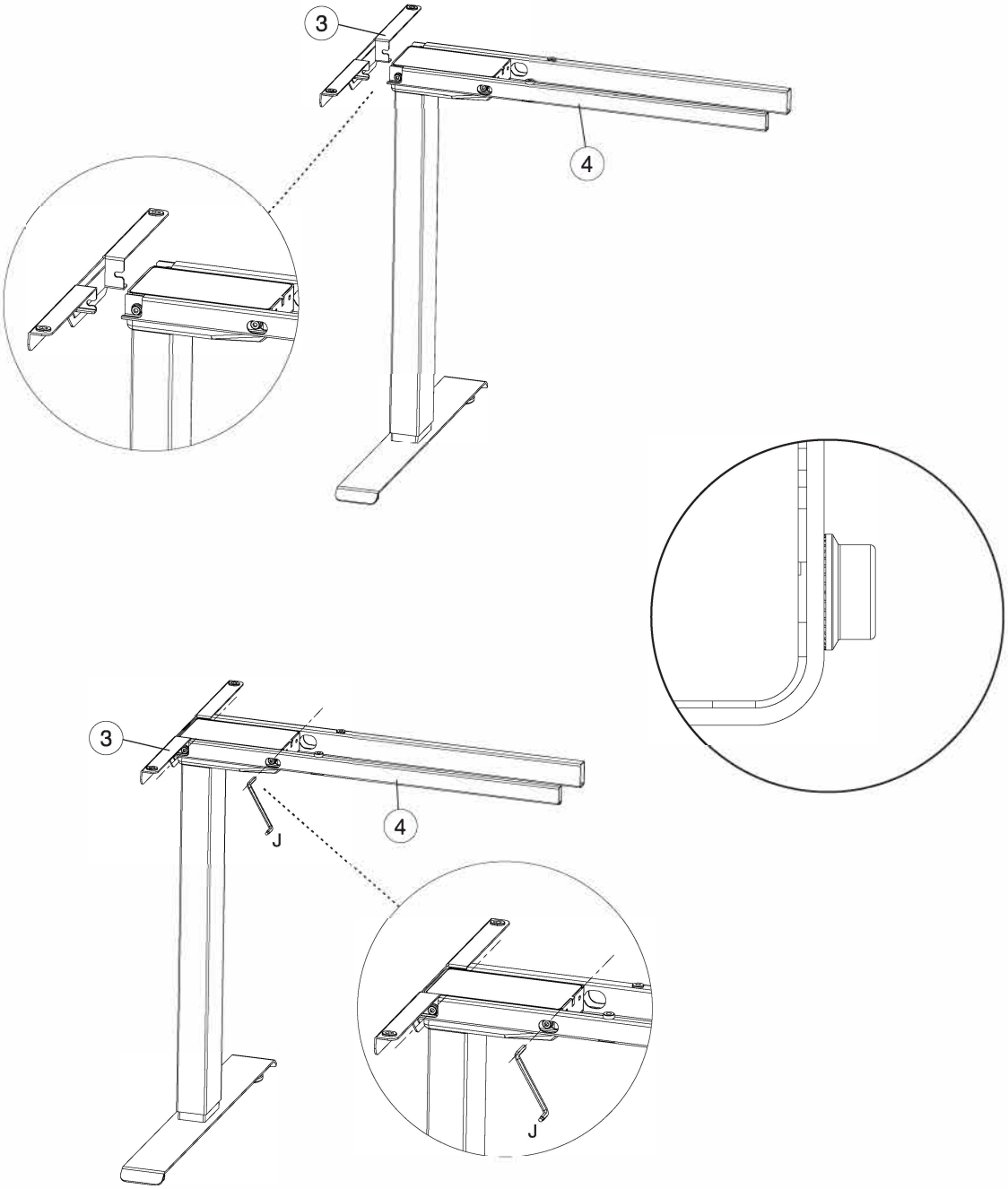
	A  M6x12	B  M6x10
---	---	---



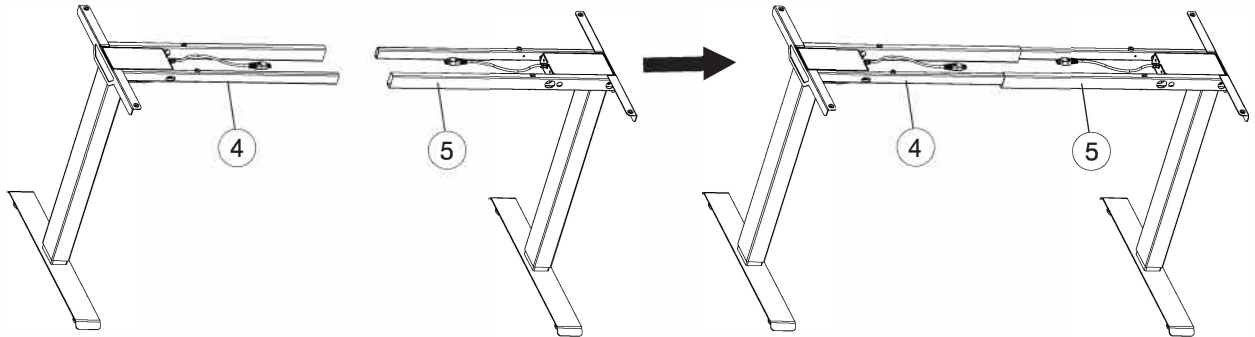
6



Note: Redo step 2-6, for the other side assemble.

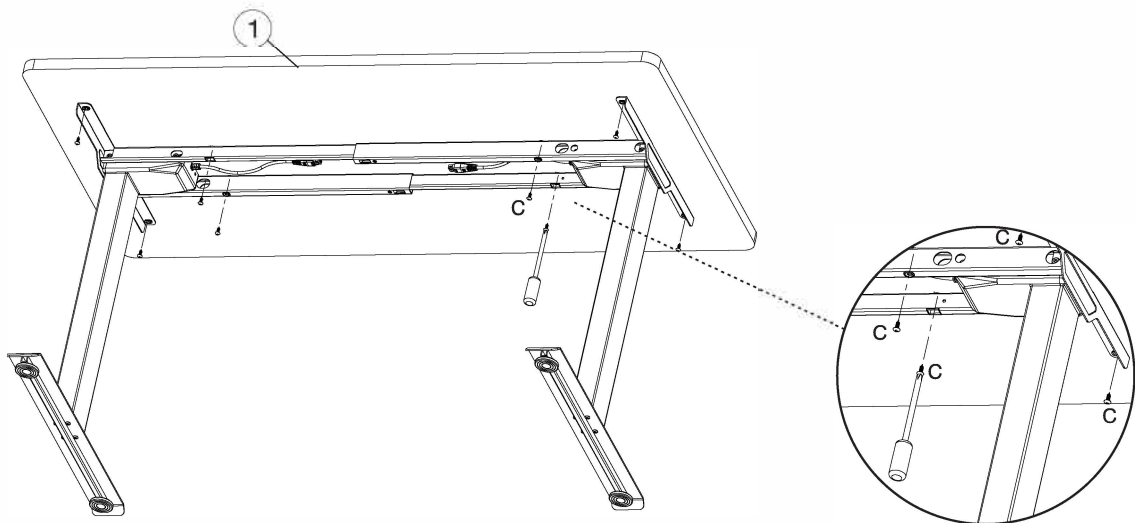
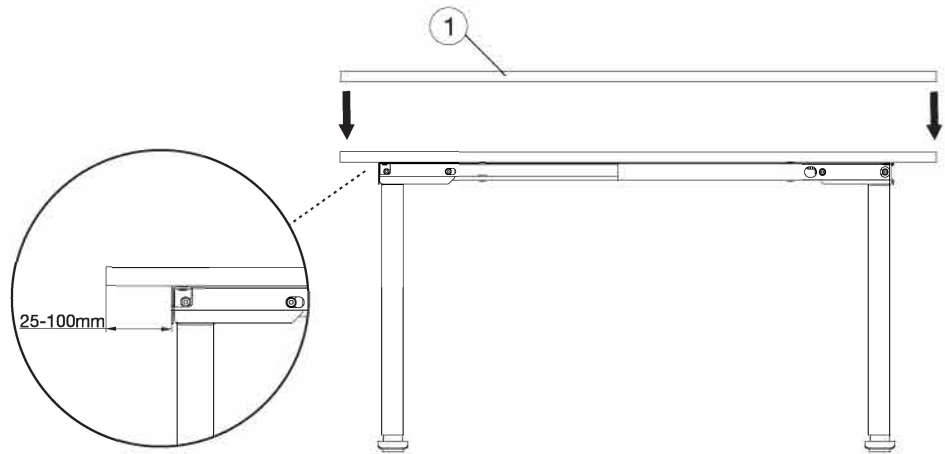


7

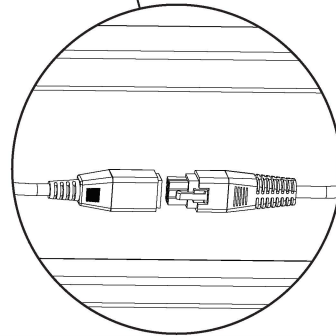
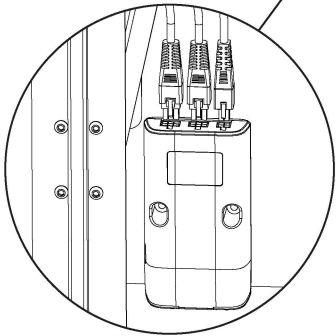
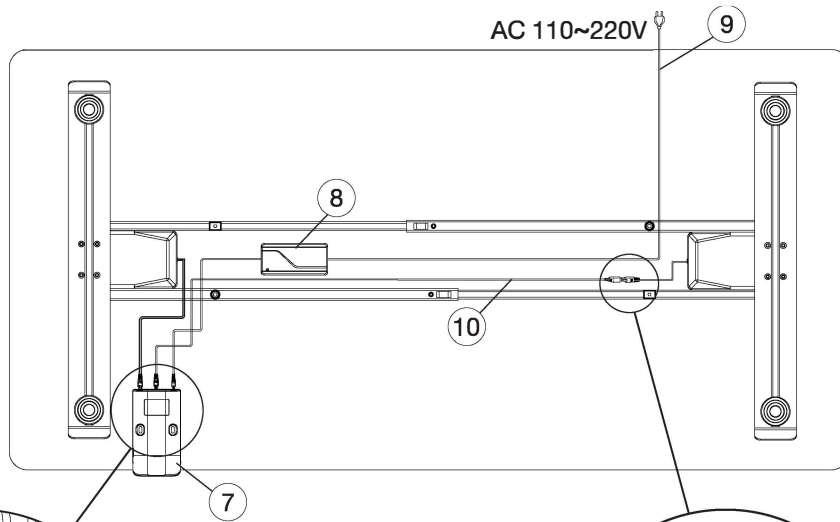


8

<p>C x8</p>  <p>ST5x16</p>	
---	---

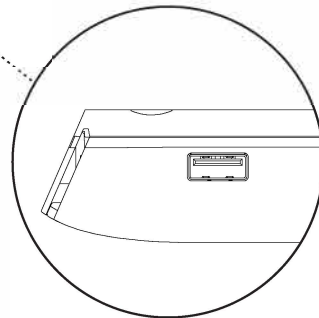
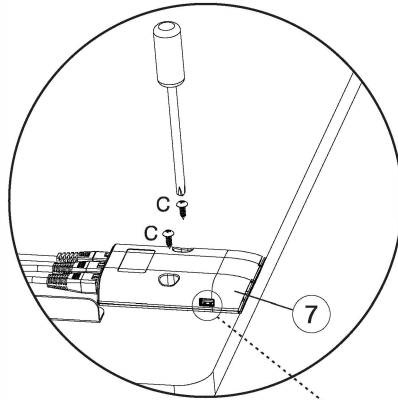
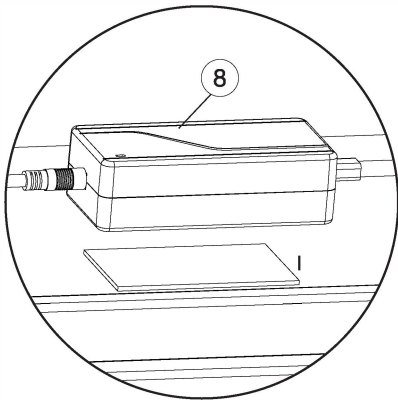


9

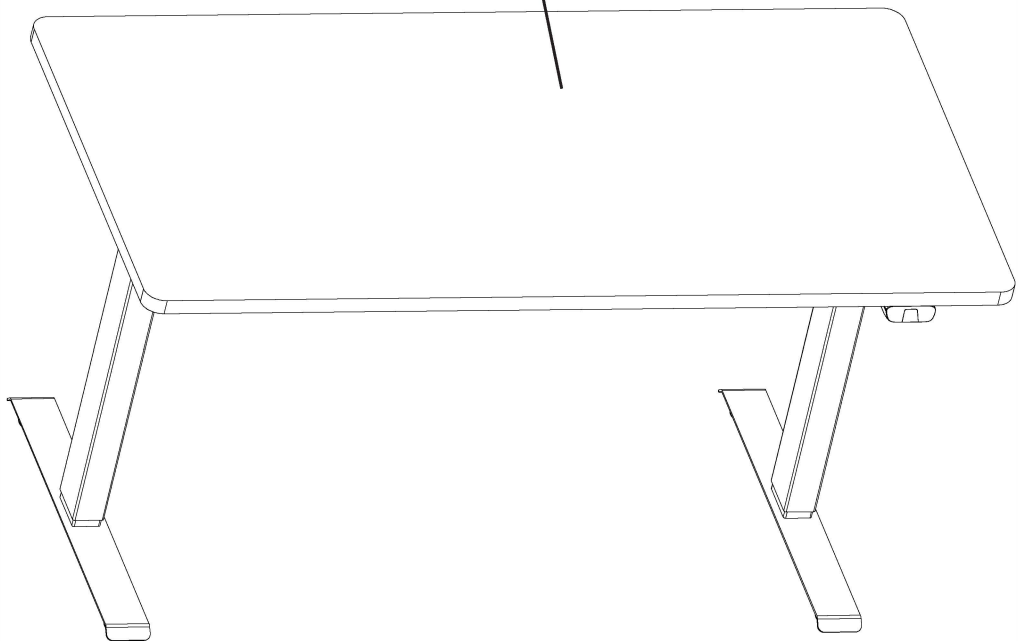


10

<p>C x2</p>  <p>ST5x16</p>	<p>I x1</p> 	
---	---	---



11





Make sure no obstacles are in the desk's path.
Make sure the desktop is not touching any walls.
Make sure all cords are appropriate length to accommodate the change in height.



WARNING

Pinch Point
Keep hands and fingers clear.



Keep children away from electric height-adjustable desks, control units and handsets. There is a risk of injury and electric shock.



Keep all electrical components away from liquids.



Do not sit or stand on the desk frame.
Do not crawl or lie under the desk frame.



Do not place any objects taller than 20" underneath the desk.



Do not open any of the components - the Legs, Control Box, or Switch.
There is a danger of electric shock.



This product is designed with a duty cycle of 10%
(2 min. on, 18 min. off).



In the event of a power outage or if the power cord is unplugged,
a manual reset may be necessary - see USE section.



USE / LIABILITY

This height adjustable desk has electric motors and is designed for use in dry work areas only.

The desk height is adjustable so that it can be positioned at the most ergonomically suitable height.

Any other use is at user's risk.

Under no circumstances does the manufacturer accept warranty claims or liability claims for damages caused from improper use or handling of the desk frame.

IMPORTANT:

Please read this manual carefully.
If this desk is sold, please provide this manual to the buyer.